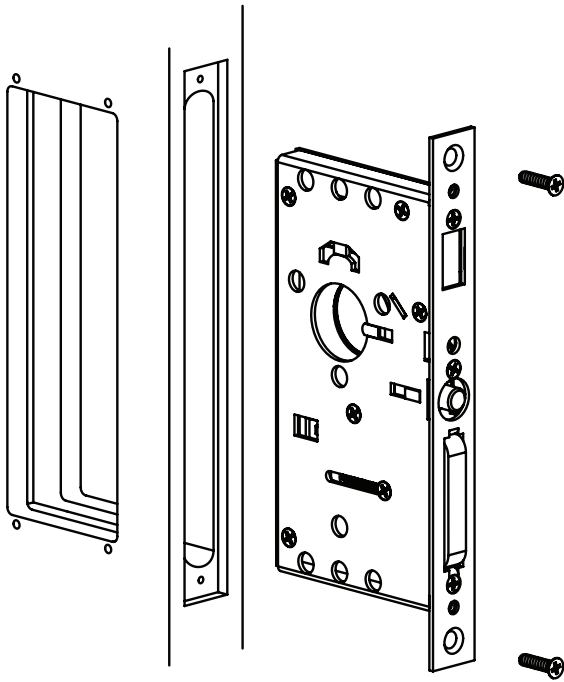
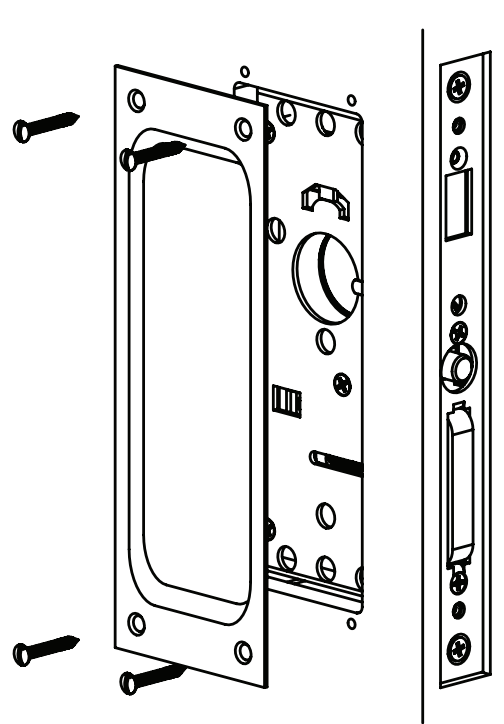


1 Install Lock Body

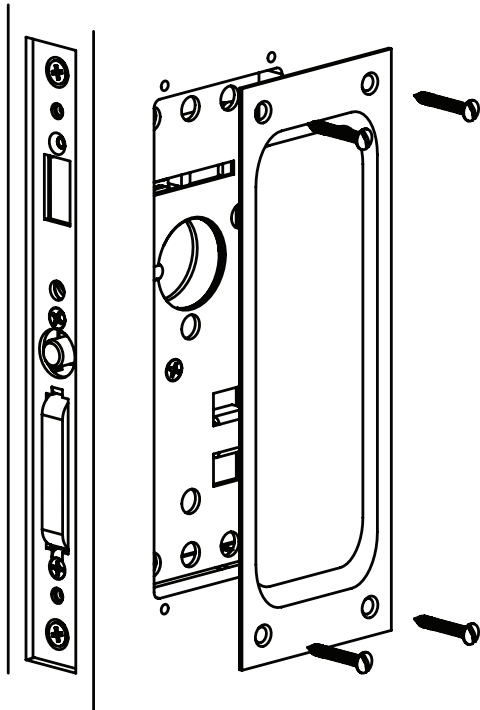


See template for door prep specifications

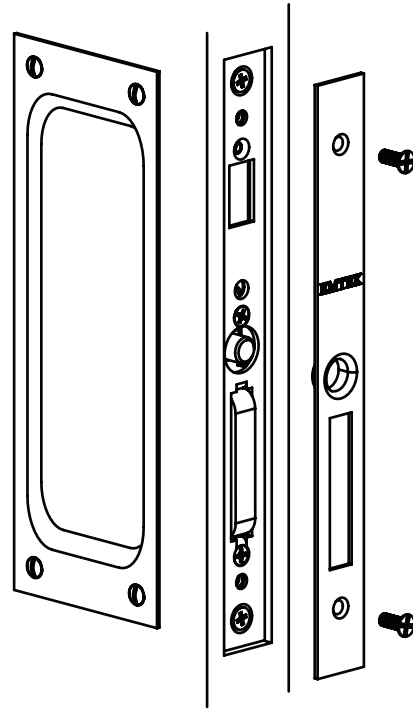
2 Install Outside Plate



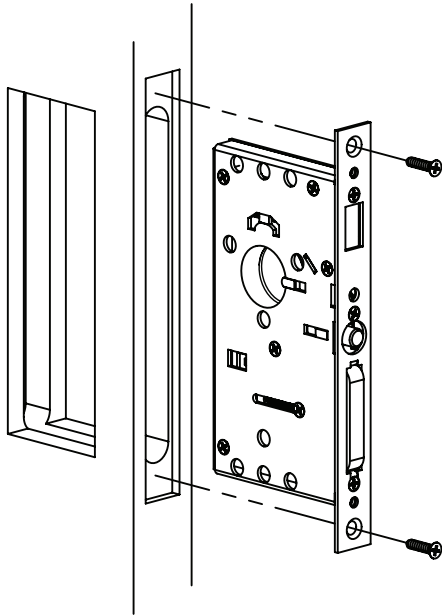
3 Install Inside Plate



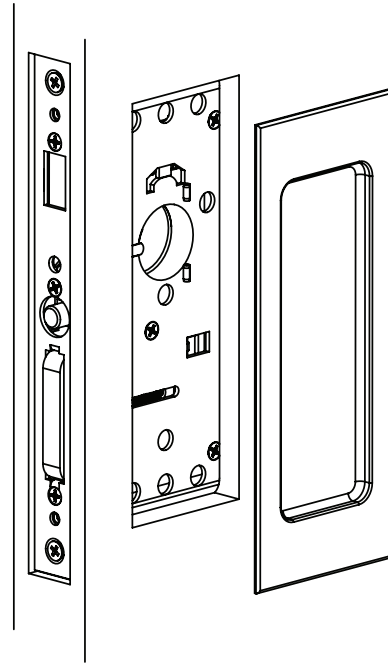
4 Install Trim Plate



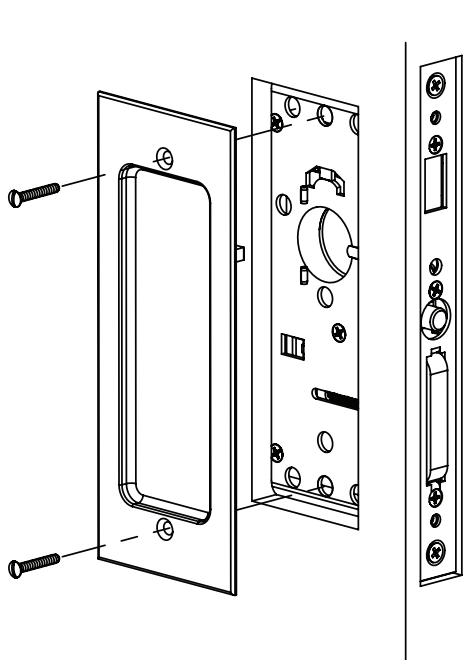
1 Install Lock Body



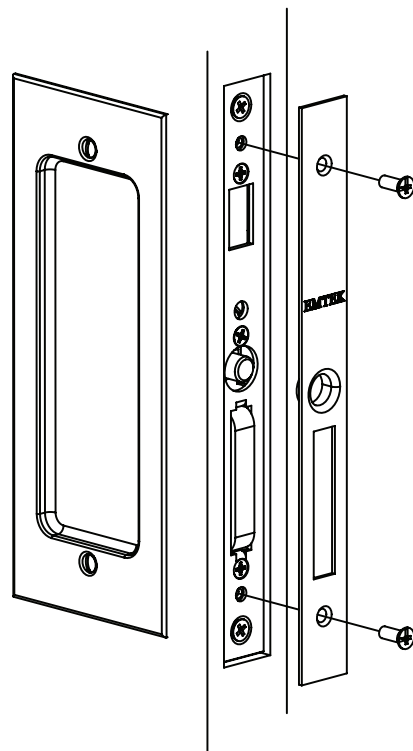
2 Hold Outside plate in place



3 Secure both inside & outside plates



4 Install Trim Plate



Secure both inside and outside plates using machine screws (provided)